

The Contest JUG



NEWSLETTER OF THE
NORTHERN CALIFORNIA CONTEST CLUB
34456 COLEVILLE PLACE
FREMONT CA 94546

MARCH/APRIL 1983

NUMBER 131/132

PRESIDENT: W6SZN VP/CC: KN6M SctY/TREAS: K6ZM
DIRECTORS: AA6G, N6KB, N6XI, W6XX JUG Post-PRODN.: K6HNZ JUG EDITOR: K6RU
COMMITTEES: PROGRAM-N6AUV MEMBERSHIP-W6OWQ FINANCE-N6AUV AWARDS-KA6ING CQP-K6XO

AWARDS/ELECTIONS BANQUET

COMING EVENTS

APRIL MEETING PROGRAM

ANNUAL NCCC AWARDS BANQUET AND ELECTION OF 1983-1984 OFFICERS AND DIRECTORS.

APRIL 15: NCCC AWARDS/ELECTION BAN-
QUET. SEE P.2 FOR DETAILS

MAY 24: NCCC MEETING

APRIL 22-24: INTERNATIONAL DX CONVEN-
TION, VISALIA

MAY 28-29: CQWW WPX CONTEST - CW

MAY 21: ARMED FORCES DAY AT NPG

JUNE 17-18: ALL ASIAN DX CONTEST - SSB

JUNE 24-25: ARRL FIELD DAY!

THE SWAN SONG

IT IS WITH MIXED FEELINGS THAT I PUT PEN TO PAPER FOR THE LAST TIME AS PRESIDENT OF NCCC.

LOOKING BACK OVER THE LAST 12 MONTHS, THE NCCC AND ITS MEMBERS HAVE PROVED ONCE AGAIN THAT WE ARE A MAJOR FORCE TO BE RECKONED WITH ANY TIME WE DECIDE TO GET SERIOUS AS A CLUB ABOUT WINNING A CONTEST. THE LIST OF INDIVIDUAL ACCOMPLISHMENTS BY NCCC'ERS DURING THE LAST YEAR WOULD FILL THE JUG. AND, MOST IMPORTANT, WE'VE HAD FUN AND WE'VE ALL BECOME BETTER OPERATORS AND BETTER FRIENDS.

ON THE OTHER HAND, THE GENERAL SENSE OF MALAISE THAT INEVITABLY FOLLOWED THE INCREDIBLE HIGH OF WINNING THE 1981 CQWW, ALTHOUGH DECLINING, HAS LINGERED ON LONGER THAN I HAD THOUGHT IT WOULD. I HOPE THAT NEXT YEAR'S OFFICERS AND DIRECTORS WILL FOCUS EARLY ON WHERE THE CLUB IS HEADED AND WHAT KIND OF CLUB THE MEMBERS WANT IT TO BE. SHOULD IT BE MORE DIFFICULT TO BECOME A MEMBER -- AND STAY ONE? IS THE PRESENT CONTENT OF THE MEETINGS REALLY WHAT THE MEMBERS WANT? SHOULD WE MEET LESS OFTEN? MORE OFTEN? SHOULD WE MAKE A CLUB EFFORT THIS YEAR IN A MAJOR CONTEST AND, IF SO, WHICH ONE? THESE ARE JUST A FEW OF THE ISSUES THAT HAVE COME FROM MY DISCUSSIONS OVER THE PAST SEVERAL MONTHS. IF YOU HAVE AN OPINION OF THESE OR ANY OTHER ISSUES AFFECTING THE CLUB, LET IT BE KNOWN.

MY THANKS GO TO MANY -- TO W6RGG, AA6G, N6XI AND W6XX FOR SERVING AS DIRECTORS, TO K6ZM FOR HIS DEDICATED EFFORTS AS SECRETARY/TREASURER, TO KN6M FOR ORGANIZING THE CQWW, TO N6AUV FOR ARRANGING FOR THE PROGRAMS AND DINNER

(CON'T)

THE SWAN SONG (CON'T)

MEETINGS AND FOR THE MANY HOURS OF WORK (AND UNEARNED ABUSE) ON THE CLUB QSL CARDS, TO KA6ING FOR HANDLING THE AWARDS, TO THE HONORABLE EDITOR, K6RU, FOR HAVING TO WADE THROUGH AND EDIT MY TURGID PROSE EACH MONTH AND FOR PUTTING OUT A FIRST RATE PUBLICATION IN SPITE OF IT, TO W6RGG (AGAIN) FOR ACTING AS NCS EVERY WEDNESDAY, TO K6HNZ FOR FOLDING, SPINDLING BUT NEVER MUTILATING THE JUG, TO AA4KB FOR PROVIDING THE COMPUTERIZED MAILING LABELS, AND TO WA6VEF FOR HIS COUNSEL AND ADVICE THROUGHOUT THE YEAR. THANKS TO YOU ALL FOR THE OPPORTUNITY OF BEING NCCC PRESIDENT. IT'S BEEN FUN.

ELSEWHERE IN THIS ISSUE ARE THE DETAILS OF THE APRIL 15 AWARDS/ELECTIONS BANQUET. I HOPE TO SEE YOU THERE.

73, KIP, W6SZN

1983-84 ELECTIONS

AT THE APRIL 15 AWARDS/ELECTIONS BANQUET, THE CLUB WILL ELECT ITS OFFICERS AND DIRECTORS FOR THE 1983-1984 TERM. THE BOARD HAS NOMINATED THE STALWARTS LISTED BELOW FOR THE POSITIONS INDICATED. ADDITIONAL NOMINATIONS ARE ENCOURAGED AND WILL BE ACCEPTED FROM THE FLOOR. PLEASE SHOW UP TO VOTE FOR THE CLUB LEADERSHIP OF YOUR CHOICE.

- PRESIDENT: K6HNZ
- VP/CC: NR6I
- SEC./TREAS.: KC6D
- BOARD OF DIRECTORS:
 - W6SZN (PER BY-LAWS)
 - W6OAT
 - W6TMB
 - K6KLY

73, KIP, W6SZN

ARMED FORCES DAY AT NPG

21MAY1983 IS ARMED FORCES DAY. NCCC WILL PARTICIPATE IN THE ACTIVITIES FROM 0600-1930 PDT AT NPG, U.S. NAVAL COMMUNICATIONS CENTER, SKAGGS ISLAND NEAR VALLEJO, CA. IF YOU WISH TO OPERATE REAL QRO ON A CLEAR FREQ. CONTACT BERT, K6CSL AT 415)533-8175 OR ON W6RGG/R.

BANQUET FACTS

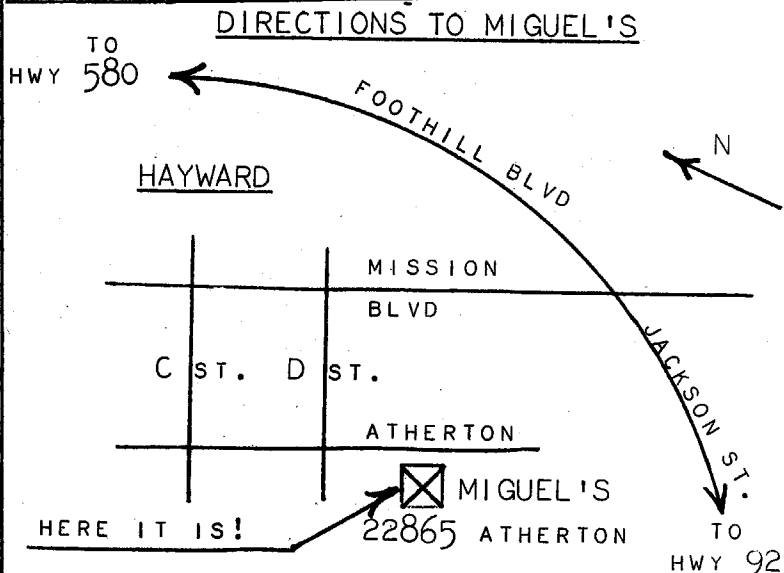
WHEN: FRIDAY, APRIL 15, 1983
 COCKTAILS - 6:30 PM
 DINNER - 7:30 PM

WHERE: MIGUEL'S RESTAURANT
 22865 ATHERTON AVE.,
 HAYWARD, CA (SEE MAP BELOW)

MENU: ENCHILADA/CHILI RELLENO DINNER
OR
 STEAK, BAKED POTATO, VEG. DINNER
 BOTH DINNERS INCLUDE SALAD, DESSERT AND COFFEE.

PRICE: MEXICAN DINNER \$11.00
 STEAK DINNER \$12.00
 BOTH PRICES INCLUDE TAX AND TIP.

RON, N6AUV PROMISES AT LEAST THREE NICE DOOR PRIZES!



DX CONVENTION CONTESTERS NEWS

1981 CQWW NCCC PLAQUE AT VISALIA!?!?

GOOD NEWS! THE 1981 CQ WORLDWIDE CLUB WINNER'S PLAQUE IS ON THE WAY AND MAY BE PRESENTED TO US AT THE VISALIA DX CONVENTION. ACCORDING TO LARRY BROCKMAN, N6AR, CQWW Co-CHAIRMAN, THE PLAQUE HAS BEEN ORDERED FROM THE PROPER PEOPLE BACK AT CQ MAGAZINE HEADQUARTERS. HE SAYS THAT THERE IS A "GOOD CHANCE" THAT IT WILL BE ENGRAVED AND RECEIVED BY HIM IN TIME FOR PRESENTATION AT THE SATURDAY NIGHT DX CONVENTION BANQUET -- AND THAT IS CERTAINLY SOMETHING FOR ALL OF US TO LOOK FORWARD TO.

THERE WILL BE SOME VERY INTERESTING CHANGES IN THE FORMAT OF THIS YEAR'S DX CONVENTION. THE PROGRAM COMMITTEE FOR THE CONVENTION HAS ADAPTED A "SINGLE-TRACK" PROGRAM SCHEDULE, WHICH MEANS THAT, AT ANY GIVEN TIME DURING THE DAY, THERE WILL ONLY BE ONE PROGRAM IN PROGRESS. THE CONTEST FORUM HAS BEEN RETITLED CONTEST SEMINAR, AND IS CURRENTLY SCHEDULED FOR ABOUT 10:30 AM ON SATURDAY. LASTING ONE HOUR, IT WILL FEATURE THREE SPEAKERS: MARTTI LAINE, OH2BH, ON LAST YEAR'S MONSTROUS OHØW CQWW MULTI-MULTI EXPEDITION; TOM TAORMINA, K5RC, ON THE LATEST SUPER, SUPER MULTI-MULTI STATION OUT OF SOUTH TEXAS, NA5R/K5RC; AND OUR OWN TOM SCHILLER, N6BT, ON STATION LAYOUT. THIS CONTEST SEMINAR FORMAT WILL DIVERGE SIGNIFICANTLY FROM THE FORMATS OF OTHER CONTEST FORUMS DURING THE PAST FEW YEARS.

THE CODE-COPYING TAPE IS SLATED FOR AROUND 12 NOON SATURDAY. THE TAPE CONTAINS 148 DIFFERENT CALLSIGNS, AND LASTS FOR FOUR MINUTES. TO SAY THE LEAST, IT'S A TOUGHIE. AND IF YOU DON'T LIKE COPYING THE TAPE OVER A LOUD-SPEAKER, THEN BRING A HANDI-TALKIE AND EARPHONES, AS THE TEST WILL BE TRANSMITTED ON 147.54 MHZ. IF YOU DON'T HAVE AN HT AND MANAGE TO WIN THE COPYING, THEN YOU'LL HAVE ONE, AS 1ST PRIZE IS AN ICOM IC2AT.

AND, AS USUAL, THE NCCC HOSPITALITY SUITE WILL BE OPEN AFTER THE SATURDAY NIGHT BANQUET. IT WILL BE THE USUAL FREE BEER AND MUNCHIES, AS WELL AS CONTEST CHATTER. FOR DIRECTIONS, TRACK DOWN WA6VEF OR N6KT AND ASK THEM FOR THE ROOM NUMBER. THEY'LL TELL YOU WHERE TO GO (DEPENDING ON WHO YOU ARE-ED.).

CU AT VISALIA?

73,

GARY, WA6VEF

NCCC QNI

W6RGG/R - WEDS., 0400Z 147.84/24
 FEB.16, 23 MAR.2, 9, 23

W6RGG(NCS)(5), K6RU(5), K6ZM(5),
 KA6ING(4), WA6IEN(4), KN6K(4), K6CSL-
 (4), N6GG(3), NR6I(2), K6KLY(2),
 W6MTF(2), WA6VEF(2), W6BSY(2),
 W6SZN(2), WB6DSV(2), N6DA, WA6KXN,
 N6AUV, WA6HKP, N6BZA, N6RO, KB6XN,
 N6FJS, W6YKH, N6BPL, WB6FCR, W6OWQ,
 N6AUV, K6GSS, N6FYR.

NEW MEMBER

KS6C - DAN H:415)726-6188
 DANIEL W. LEFFERT W:415)329-3244
 499 EL GRANADA BLV.
 P.O.Box 998
 EL GRANADA, CA 94018

DAN IS 28 YEARS OLD AND HAS BEEN LIC-
 ENSED FOR 13 YEARS. HE HOLDS AN EXTRA
 CLASS LICENSE. HIS FORMER CALLS ARE
 WBØAOR AND WØARB. HE OPERATE 80% CW
 AND 20% SSB. HIS STATION INCLUDES AN
 ICOM 730 AND A KLM KT34A. HE HAS HAD
 SEVERAL YEARS OF CONTEST EXPERIENCE IN
 THE ARRL SS AND DX CONTESTS.

MINUTES OF
THE NORTHERN CALIFORNIA CONTEST CLUB
MEETING OF FEB. 28, 1983

The February meeting turned out the smallest group of the year with only 17 guests and members attending. The two major reasons for such a small turn-out were the heavy wind and rain storm during the day and also the last episode of "MASH" on TV which drew the largest audience ever recorded in the history of the TV industry. So we were lucky to attract even 17 people.

The Rover Boys, Gary and Rich, WA6VEF and N6KT, gave a very well done slide show of their trip to Lima, Peru and their operation of the well equipped station 4T40 of the Radio Club of Peru. After they assembled and installed four antennas on empty towers, they proceeded to run up a score of 13.5 meg in the CQ WW SSB Contest last fall. The slides of the Lima area and nearby mountains gave us a better idea of the living conditions and scenery there, the first being very poor and the second being very beautiful. Our thanks to Gary and Rich.

During the meeting break, the usual raffle was held with a DX EDGE as the main attraction. As this Club is very democratic, we were glad to see a guest, Duane Ayers, ex W6NQY, now NS6A, win it.

The technical education of the group was increased by the talk presented by Bob Vallio and his friend, Gene Alga, KA6FIY. They both demonstrated and discussed the problems of FM overdeviation, its cause, its effects, and ways of curing it. In most cases, the problems are reduced by just backing away from the microphone! It was an informational experience to all of us two meter users. Thanks, Bob and Gene.

It was requested that dual members of the Contest Club and the DX Club please send in summary sheets of their ARRL DX Contest results to Steve Thomas, N6ST, so that the DX Club will receive the credit.

The meeting was adjourned at 10:15 pm.

Respectfully submitted,

Phil Frazier, K6ZM, Scty/Treas.

NEWS FROM OUT-OF-STATE MEMBERS

CHUCK HILL, KCØSZ, EX-WA7LQQ: " HAVE MORE HARDWARE UP. 6 EL. 20M @ 90 FT.
4 EL. 40M @100 FT ., 80M INV.VEE @ 80 FT.,
KT34XA @ 55 FT., AND WORKING ON 160. NEW QTH IS:
1820 SUMMIT DR., BLACK FOREST, CO 80908."

JIM NEIGER, N6IJ/8P6J: "HAVE NEW MOUNTAIN-TOP QTH. LOOK FOR BIGGER SIGS IN
THE FUTURE. NEW QTH: COPACABANA BEACH CLUB, ST. JAMES,
BARBADOS, WEST INDIES. PHONE (809)422-4847."
(MUST BE A VERY STEEP BEACH- HI-ED.)

YASME

P.O. Box 2025 Castro Valley, California 94546
Doha, Qatar
Arabian Gulf
6 February 1983

YASME Foundation
P.O. Box 2025 Castro Valley, California 94546

Kuwait
Persian Gulf
17 March 1983

Dear Friends,

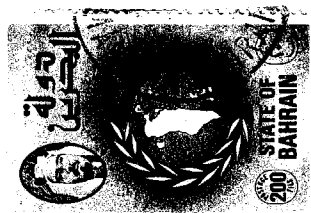
Our operation as W6KG/A7 in Doha, Qatar, ended 5 February 1983. We were on the air three weeks, and made 8,000 QSOs, with amateurs in 135 countries, working SSB and CW on 10 through 40 meters.

This country is similar to Oman because it is a recently rich oil country with tremendous new expansion. Although the treatment of women here is more liberal than in the past, only approximately 5% of the people seen on the streets of the modern city of Doha or in the restaurants, are women. The biggest supermarket in town has one day set-aside just for women and their families. It is not felt appropriate to have single men and single women go shopping together!

For the first time ever, we operated from a skyscraper building. Our antennas were located on top of a 14-story Hotel with a perfectly clear view in all directions. The great height seemed to help us on both transmission and reception; we averaged consistently about two QSOs per minute while on the air.

Visiting personnel of all kinds, and especially radio amateurs, are not encouraged to visit in the Arabian countries. We are extremely grateful to Mike, A7LAD, who has helped us enter and operate in several Arab Countries.

Lloyd Colvin
W6KG
Iris Colvin
W6QL
es 88



Dear Friends,

This is a report on the YASME DX-PEDITIONS to HZLAB, Saudi Arabia, and 9K2QL, Kuwait. We visited HZLTA and HZLTC in the Capital City of Riyadh, which is a large modern city. It is unusual in that it is not uncommon to see stores closed but many items that they sell left in front of the store unguarded. Also, stores can occasionally be found open with no attendant present. One reason for this is that the people are very religious, and, secondly, if a thief is caught, his hand is cut-off! We also visited HZLAB in Dhahran. There are 30 operators there, and they agreed to let us make a YASME DXpedition for the two days of the ARRL International CW DX Contest, 19 and 20 February 1983. We made some 1500 QSOs in that period, with four of the regular operators helping. All QSLs for HZLAB for these two days go to YASME.

Next we went to Kuwait where we were extremely fortunate to receive the special call 9K2QL. This is the only special call issued to visiting amateurs in a long while. The first few days we stayed at the Marriott Hotel, which is a ship like the Queen Mary in California. The problem of operating there was that the Port Holes could not be opened and there was no way to get the coax line into the stateroom. We finally moved to one of the Chalets nearby. We convinced the manager that our 3-element beam would be a desirable addition to the swimming pool and garden area of his 5-star hotel! We made 6,500 QSOs with amateurs in 125 countries from 9K2QL.

Our last operation before returning to the USA will be from Jordan, using Lloyd's callsign, JY8KG.

73 es 88
Lloyd Colvin
W6KG
Iris Colvin
W6QL
Lloyd

MINUTES OF THE BOARD OF DIRECTORS MEETING
3 Mar 1983

The March meeting was held at the QTH of K6RU. Those who attended were; AA6G, K6RU, K6XO, K6ZM, N6AUV, W6RGG, W6SZN, and W6XX.

The first hour was spent discussing new officers for the club. Possible candidates were discussed and a selection was made from people who had expressed interest in helping the club. After a few phone calls and a few readjustments, it became obvious that a new roster of officers could not be completed that evening. The new list will be presented at the April Banquet meeting on the 15th of April.

It was moved and seconded that the usual March meeting would not be held and the March Jug will be a combined March/April issue to be published in early April extolling the Banquet which will be held on April 15th at Miguel's in Hayward, and will be for members only. Those planning to attend the Banquet should RSVP to Ron, N6AUV. The elections should be quite short, and the Awards presentation should be the main event. We hope that the Master of Ceremonies will be N6BT.

Coming activities will be the WPX Contest with SSB on 26-27 of March and CW on 28-29 of May. Armed Forces Day in May will be discussed in the March/April Jug.

Ron, N6AUV, was appointed to be the Contest Club representative at forthcoming CCRC meetings.

The meeting was adjourned at 10:06 in time for more of K6RU's tasty HOT DISH specialties.

Respectfully submitted,
Phil Frazier, Scty/Treas.

PRESENTING THE PENINSULA'S LARGEST ELECTRONIC FLEA MARKET

- **Come to Foothill College, Los Altos Hills, California**
- **Saturdays 8 am - 2 pm ● Parking Lot "C"**
- **Sellers \$5.00 per vehicle (2 SPACES)**

April 16, 1983 -

Amateur's Donation to Palo Alto Red Cross

May 14, 1983 -

Electronic's Museum Amateur Radio Club

July 16, 1983 -

Perham Foundation (Electronic's Museum Lot T)

August 13, 1983 -

Palo Alto Amateur Radio Association

September 10, 1983 -

Foothill's Amateur Radio Society

CLASSIFIED
COMPUTER DUPS

Tired of post-contest paperwork?

Try the *N6TV Duping Service*. Just mail me a copy of your log, and I'll send you:

- * A list of all duplicate QSOs and multipliers (NEW)
- * An alphabetical list of all call signs, by band (dupe sheet)
- * Hour by hour QSO rate sheet
- * Computerized self-stick labels for your QSL card (optional)

Price: 4¢ per QSO. For self-stick labels, add just 1¢ per QSO.

Bob Wilson, N6TV, 4950 Cherry Ave. #46, San Jose, CA 95118,
(408) 264-6688 evenings.

FOR SALE: FINALLY A "DUPE" PROGRAM FOR THE UNEXPANDED VIC-20 COMPUTER. UP TO 500 Q'S ON 7 BANDS. WRITES TO TAPE FOR RECALL..PLUS...PLUS...PLUS. SEND SASE AND \$5.00 TO JOHN CALHOUN, 882 BLAZINGWOOD AVE., CUPERTINO, CA 95014

UPGRADE TO EXTRA

KAREN, EX-N6BSU IS NOW NF6G.
CONGRATULATIONS, KAREN!

CLASSIFIED

FOR SALE: SWAN 250-C 6 METER TRANS-CEIVER WITH NOISE BLANKER, TV-2 2 METER TRANSVERTER AND POWER SUPPLY. \$300 OR BO. LLOYD, AA6T, (408) 722-4349

FOR SALE: CUBEX 4 ELEMENT, TRI-BAND QUAD. SINGLE COAX FEED, FIBERGLAS SPREADERS, 3 IN. DIA. BOOM. \$300 OR BO. LLOYD, AA6T (408) 722-4349

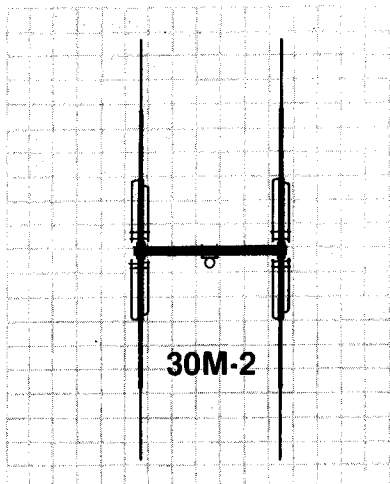
FOR SALE: KENWOOD R-820 RECEIVER WITH CW FILTERS. MINT CONDX. HARDLY USED. \$500 OR BO. CAM, K6RU 415)854-3055

FOR SALE: COLLINS 75S3-C, MEATBALL. EXCELLENT CONDX WITH CW FILTERS AND COMPLETE SET OF SPARE TUBES (NEW). CAN BE CRYSTALLED FOR WARC BANDS. \$475 OR BO. CAM, K6RU 415)854-3055

BoD MEETING MAY 5.

JUG DEADLINE: MAY 11.

KLM 30 Meter Monoband Yagis



30M-2

30M-2: SPECIFICATIONS

Bandwidth: 10.1 to 10.150 MHz
Gain:
VSWR: less than 1.5:1
F/B:
Feed Impedance: 50 ohms
Element length: 35'3"
Boom: 3" O.D. x 12'
Turn Radius: 18'6"
Weight: 35 lbs
Windload: 4 sq ft

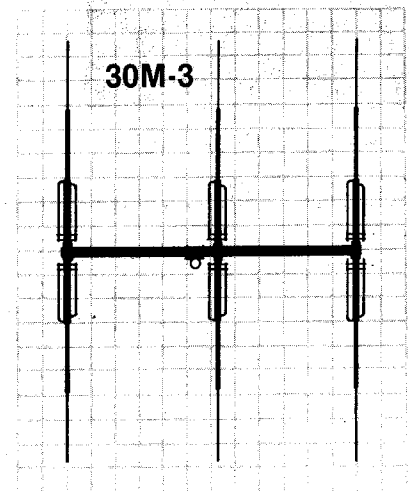
KLM is proud to announce two new high performance monobanders for 30 meters. The KLM 30M-2 and 30M-3 are carefully designed to combine moderate size with superior performance. Either of these compact powerhouses can be a valuable addition to your antenna system without overloading the tower or rotator.

■ Construction materials feature strong 6063-T832 alloy aluminum element and boom tubing, massive Lexan insulators, and stainless steel hardware for years of reliable service.

■ A DC grounded Beta match and KLM's proven 4:1 DC grounded Balun make the 30M-2 and 30M-3 as lightning/static proof as possible. The unique linear loading system keeps element lengths manageable without sacrificing performance.

■ The adventure of a new band awaits you. Double your pleasure with the great gain and broadband response of the KLM 30M-2 or 30M-3. See your KLM dealer now!

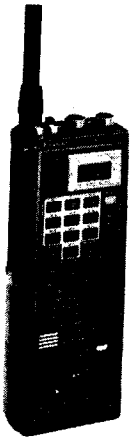
KLM Electronics, Inc.
P.O. Box 816,
Morgan Hill, CA 95037
(408) 779-7363



30M-3

30M-3: SPECIFICATIONS

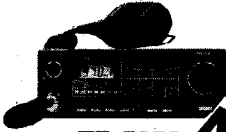
Bandwidth: 10.1 to 10.150 MHz
Gain:
VSWR: less than 1.5:1
F/B:
Feed Impedance: 50 ohms
Element length: 35'3"
Boom: 3" O.D. x 24'
Turn Radius: 21'5"
Weight: 50 lbs
Windload: 7 sq ft



TR-2500

KENWOOD

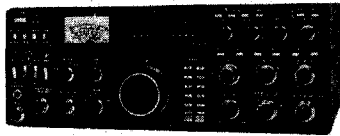
Save substantially!
Call now for
your price.



TR-7950
2 METERS, 45 WATTS,
21 CHANNEL MEMORY

NEW

TS-930S



TS-430S



**BUY IC-740 NOW
AND GET YOUR
\$50 REBATE!**
DIRECT FROM THE FACTORY



IC-R70



**GENERAL COVERAGE
RECEIVER**

KLM/TRI-EX

KLM KT-34A

4 element tri-bander

Regular \$389.95 **\$299**

KLM KT-34XA

6 element tri-bander

Regular \$569.95 **\$459**

KLM 7.2-140M rotatable dipole.
Regular \$199.95 Special \$159.00

KLM 7.2-2 40M, 2 element beam.
Regular \$349.95 Special \$299.00

KLM 7.2-3 40M, 3 element beam.
Regular \$529.95 Special \$449.00

KLM 7.0-7.3 4A 40M, 4 element beam.
Regular \$749.95 Special \$629.00

TRI-EX W51, 51 foot tower.
Regular \$999.95 Special \$829.95

W51 TOWER w/ KT-34A
\$1099

W51 TOWER w/ KT-34XA
\$1239

ETD ALPHA

ALL ALPHA AMPLIFIERS
IN STOCK FOR FAST DELIVERY
CALL FOR SPECIAL PRICES



ONE EXAMPLE:
76PA
REGULAR \$2395

SALE! \$1699



BURLINGAME, CA 94010
999 Howard Ave., (415) 342-5757
5 miles south on 101 from S.F. Airport.

OAKLAND, CA 94609
2811 Telegraph Ave., (415) 451-5757
Hwy 24 Downtown Left 27th off-ramp.

THE CONTEST JUG-PUBLISHED MONTHLY BY
THE NORTHERN CALIFORNIA CONTEST CLUB
34456 COLEVILLE PLACE
FREMONT, CA 94536

FIRST CLASS
FIRST CLASS
FIRST CLASS

W6OAT EXPIRES: 0683
EPPS, CHARLES K
948-H KIELY BLVD
SANTA CLARA CA 95051

