

The Contest JUG



NEWSLETTER OF THE
NORTHERN CALIFORNIA CONTEST CLUB
34456 COLEVILLE PLACE
FREMONT CA 94546

AUGUST 1983

NUMBER 135

PRESIDENT: K6HNZ VP/CC: NR61 SECTY/TREAS: KC6D
DIRECTORS: K6KLY, W6OAT, W6SZN, K6TMB JUG Post-Prod: K6HNZ JUG EDITOR: K6RU
COMMITTEES: CQP-K6XO AWARDS-KA6ING PROGRAM- MEMBERSHIP- FINANCE-

LET'S GET READY

COMING EVENTS

AUGUST MEETING PROGRAM

"BRAINSTORMING THE CQ WORLD WIDE DX CONTESTS"
OPEN FORUM - DXPEDITIONS AND DOMESTIC OPERATIONS

AUG.22: NCCC MEETING, 7:30PM
CWA HALL, HAYWARD

SEPT.25: NORTH AMERICAN SPRINT - SSB

AUG. 27-28: ALL ASIAN CONTEST - CW

SEPT.26: NCCC DINNER MEETING, CASA
MARIA, LOS ALTOS. SOUTH SEAS
TRAVEL PROGRAM. BRING THE GALS.

SEPT. 18: NORTH AMERICAN SPRINT - CW

OCT.1-2: CALIFORNIA QSO PARTY

GREETINGS FROM VE1-LAND

VACATIONING HERE IN NOVA SCOTIA, I AM FINDING IT HARD TO THINK SERIOUSLY ABOUT HAM RADIO AND CONTESTING AND THINGS LIKE THAT, SO THIS WILL BE A VERY SHORT MESSAGE. I DO RECALL THAT ONCE YOU GET TO MID-AUGUST, IT IS NOT VERY LONG UNTIL THE LAST WEEKEND IN OCTOBER WHEN THE REAL ACTION STARTS. SO NOW IS THE TIME TO FIRM UP YOUR PLANS FOR PARTICIPATION IN CQ WORLD WIDE. A LARGE NUMBER OF NCCC MEMBERS HAVE EXPRESSED INTEREST IN DXPEDITIONS AND WE HAVE AN ACTIVE COMMITTEE CONSISTING OF WA6VEF, W6SZN, W6OAT AND N6KT TO ASSIST EVERYONE IN CHOOSING A DX SITE AND MAKING ARRANGEMENTS. IF YOU HAVE ANY INTEREST AT ALL IN OPERATING FROM A DX LOCATION EITHER SSB OR CW, PLEASE CONTACT ONE OF THESE COMMITTEE MEMBERS AND FIND OUT HOW EASILY IT CAN BE DONE WITH THEIR HELP. NOW IS ALSO THE TIME TO ORGANIZE AND PLAN HOME STATION ACTIVITIES. THERE WILL BE A NEED AND AN OPPORTUNITY FOR EVERYONE ON THE HOME FRONT TO PARTICIPATE. IF YOU NEED A STATION TO OPERATE OR OPERATORS FOR YOUR STATION, OR ANY OTHER HELP, CALL NR61, AC6D OR N6TV. REMEMBER OUR GOAL IS PARTICIPATION BY 100% OF OUR MEMBERSHIP. MORE ON THIS LATER.

THE FIRST WEEKEND IN OCTOBER (OCT.1-2) IS EVEN CLOSER AND THAT OF COURSE MEANS THE CALIFORNIA QSO PARTY. THIS HAS BECOME A MAJOR CONTEST BECAUSE OF OUR EFFORTS TO GET A LARGE NUMBER OF CALIFORNIA STATIONS AND COUNTIES ON THE AIR. PLAN TO PARTICIPATE IN SOME WAY AND MAKE THIS THE BEST YEAR EVER. SEE CQP CHAIRMAN'S, K6XO, MESSAGE ELSEWHERE IN THIS JUG.

CALL ME IF YOU'D LIKE TO JOIN OUR CLUB DXPEDITIONS TO COSTA RICA FOR THE ARRL DX CONTESTS. WITH ALL THIS GOING IT WILL BE A GREAT YEAR FOR NCCC!

NOW BACK TO GOLF, TROUT FISHING, CANOEING, SWIMMING, ETC., ETC.

73, KEN, K6HNZ

Minutes -- NCCC Membership Meeting -- 27 June, 1983

The meeting was attended by 18 members and guest WA6IEN. The outstanding Field Day score of K6YT and superb AA SSB effort of K6HNZ were announced, as well as the activity of several members at NPG on Armed Forces Day.

Publicity for the 1983 CQP has been sent to all interested clubs and publications, both domestic and international, per chairman K6XD. Alan also offers excellent suggestions for CQP county expedition locations -- contact him for details.

The 1983/1984 budget was approved as published in the June Jug.

An appeal was made for donations of antennas or other help for FOB stations damaged or destroyed in the recent hurricane.

Lou, K6TMB, provided a fine slide presentation showing operating and other activities (including a peek at a genuine Finnish sauna experience!) at OHØ, and the beautiful scenery of Leningrad.

Minutes -- NCCC Board of Directors Meetings -- July/August, 1983

The meetings were held at the QTH of K6TMB and attended by K6TMB, K6HNZ, W6SZN, KC6D, W6QAT, K6KLY, N6TV, WA6VEF, and K6RU.

Progress was reported on the roster update -- over 70 changes have been made since May. The roster will be published before the end of August but will not be mailed with the Jug due to production complications.

The subject of poor attendance at recent membership meetings was discussed. Special efforts will be made to provide appealing programs for the August (regular) and September (dinner) meetings (see elsewhere in this issue for more info).

The club treasury shows a balance of \$2020, plus \$306 in the repeater fund. Membership renewals are arriving at a rapid pace.

The next board meeting will be held on September 1 at K6RU.

Bob Ehr, KC6D, Secretary/Treasurer

NOTICE NOTICE NOTICE NOTICE NOTICE NOTICE NOTICE NOTICE

Thanks to the 121 members who have promptly paid 1983/84 dues! A reminder to the other 53 who have not: as announced in the June Jug, you will be dropped from the Jug mailing list as of the end of September if you have not renewed by then. Renew now!

A limited number of 1981 CQWW Championship T-shirts remain available at the bargain price of \$10 each. Don't miss out on these soon-to-be collector's items! See or call KC6D for yours!

WINNING
NR61 VP/CC

WINNING IS AS MUCH A PSYCHOLOGY OR FRAME OF MIND AS IT IS THE ACT OF BEATING YOUR COMPETITION. IT IS, AFTER ALL, WHAT YOUR MIND DRIVES YOU TO DO WHICH CAN MAKE THE DIFFERENCE BETWEEN COMING IN FIRST PLACE AND BEING LISTED AS ONE OF MANY COMPETITORS.

WE AS MEMBERS OF THE NCCC ARE NOT JUST COMPETITORS, WE ARE WINNERS! THIS CONTEST SEASON WILL GIVE US SEVERAL OPPORTUNITIES TO PROVE IT, ESPECIALLY IF WE KEEP SOME SIMPLE CONCEPTS IN MIND.

K7RI, A TOP PACIFIC NORTHWEST CONTESTER WROTE A LIST OF HINTS TO USE IN CONTESTING A COUPLE OF YEARS AGO. HIS FIRST AND PERHAPS MOST IMPORTANT WAS TO "SET A GOAL". TOM SAYS, "DO IT BEFORE THE CONTEST! KEEP A SUMMARY SHEET WITH THE GOAL IN FRONT OF YOU THROUGHOUT THE CONTEST AND MONITOR YOUR PROGRESS TOWARD THAT GOAL -- WORKING HARDER IF NECESSARY TO REACH YOUR GOAL". WITHOUT THAT GOAL AND THE STRATEGY YOU DEVELOP TO ACCOMPLISH IT YOU MAY WASTE VALUABLE CONTEST TIME SEARCHING AIMLESSLY FOR CONTACTS YOU MAY NOT MAKE. YOU WILL ALSO HAVE NOTHING TO COMPARE YOUR PROGRESS TO. A GOAL WILL PUT YOUR EFFORTS INTO PERSPECTIVE. ARE YOU AHEAD? ARE YOU BEHIND? HOW MUCH TIME DO YOU HAVE TO CATCH UP? YOU'LL ALWAYS KNOW AND BE ABLE TO PACE YOURSELF AS YOU WORK TO ACHIEVE YOUR GOAL. YOU WILL ALSO HAVE SOMETHING ELSE... THE SATISFACTION THAT CAN ONLY COME FROM ACHIEVING YOUR GOAL. THERE ISN'T MUCH WHICH CAN BEAT THAT FEELING.

AFTER YOU SET YOUR CONTEST GOAL, THINK ABOUT IT. VISUALIZE YOURSELF HAVING ACHIEVED THAT HARD EARNED OBJECTIVE. FEEL IT... SEE YOURSELF ENJOYING THE VICTORY, AND DO IT OFTEN. AT 3AM ON SUNDAY MORNING WHEN YOU'RE CLOSE TO BURN-OUT STARING AT A HALF-DEAD 40 METERS, VISUALIZE THE END OF THE CONTEST AND YOUR WINNING SCORE. YOU KNOW HOW GREAT IT WILL FEEL TO SAY, "I DID IT". KEEP YOUR GOAL UPPER-MOST IN YOUR MIND, ESPECIALLY IF YOU BECOME DISCOURAGED; IT WILL GET YOU THROUGH THOSE MOMENTS.

"WHEN THE GOING GETS TOUGH THE TOUGH GET GOING". AS MUCH AS WE'VE HEARD IT, HOW OFTEN DO WE ACTUALLY PRACTICE IT? PERSISTENCE CAN MAKE THE DIFFERENCE BETWEEN WINNING AND JUST COMPETING. WHILE YOU'RE REMINDING YOURSELF HOW TIRED YOU ARE, YOUR COMPETITION IS VISUALIZING HIS/HER GOAL AND MAKING CONTACTS YOU'RE MISSING. DRIVE YOURSELF TO WIN. YOU'VE ALREADY SET YOURSELF TO WIN, NOW YOU JUST NEED TO GO THROUGH THE MOTIONS. YOU ARE NO DIFFERENT FROM YOUR COMPETITION EXCEPT THAT YOU KNOW YOU WILL WIN AND ARE DOING IT, ESPECIALLY WHEN THINGS ARE TOUGH.

OF COURSE YOU WILL HAVE MOMENTS WHEN YOU'VE REACHED A POINT OF DIMINISHING RETURNS, WHEN THE EFFORT YOU PUT INTO MAKING ONE CONTACT CAN BE USED TO REST. THIS IS A GREAT TIME TO EVALUATE YOUR PERFORMANCE, REFLECT ON YOUR PROGRESS TOWARD MEETING YOUR GOAL AND THINK ABOUT HOW YOU WILL ACHIEVE YOUR GOAL WHEN YOU GET BACK INTO THE COMPETITION. NOW...TAKE A BREAK, YOU DESERVE IT; BUT REMEMBER YOU'RE NOT DONE UNTIL YOU'VE MET YOUR GOAL!

THE LAST PART OF DEVELOPING YOUR WINNING PERSPECTIVE IS TO BUILD CONFIDENCE IN YOURSELF AND YOUR ABILITIES. IT TAKES SOME TIME TO DO, BUT YOU KNOW WHAT YOU'VE ACCOMPLISHED AND WHAT YOU CAN ACCOMPLISH. REMIND YOURSELF OF THE POSITIVE WINNING SELF-IMAGE YOU HAVE OF YOU, WHEN YOU'RE TIRED AND HAVE SOME DOUBTS ABOUT ACHIEVING YOUR GOAL. YOU KNOW YOU CAN DO IT.

GOAL → VISUALIZATION → CONFIDENT SELF IMAGE = DRIVE → PERSISTENCE = WINNING

YOUR PSYCHOLOGY CAN DO JUST AS MUCH FOR A WINNING SCORE AS CONTACTS WILL. KEEP IT IN MIND, AND WIN!

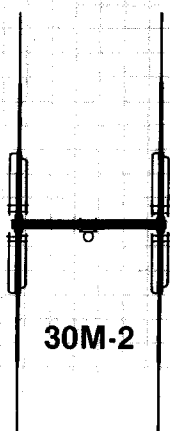
ANDREW ISAR, NR61, VP/CC

BE A PART OF IT!

THE 1983 RUNNING OF THE CALIFORNIA QSO PARTY, SPONSORED BY THE N.C.C.C., WILL BE AGAIN HELD ON THE FIRST WEEKEND OF OCTOBER. RULES WILL APPEAR IN THE NEXT ISSUE OF THE JUG, AND IN THE CONTEST COLUMNS OF CQ, QST AND 73 MAGAZINES. THE CQP HAS BEEN CALLED A NUMBER OF OTHER THINGS IN PAST YEARS INCLUDING THE MINI SWEEPSTAKES, A FALL CONTEST SEASON WARM-UP, AND UNPRINTABLE THINGS BY SOME NON-CONTESTERS WHO SUDDENLY FIND "THEIR" FREQUENCIES FULL OF CALIFORNIA STATIONS CALLING "CQ CONTEST" ON THE FIRST SATURDAY IN OCTOBER! NO MATTER, THE CQP HAS BUILT THE REPUTATION OF BEING THE BEST OF THE STATE QSO PARTIES, AND THE N.C.C.C. HAS BEEN LARGELY RESPONSIBLE FOR TURNING THE CQP INTO A MAJOR EVENT. SEVERAL EXPEDITIONS ARE PLANNED TO SOME OF CALIFORNIA'S RAREST COUNTIES SUCH AS ALPINE, SISKIYOU AND MODOC. OTHER EXPEDITIONS ARE ALSO BEING PLANNED. THE NEXT ISSUE OF THE JUG WILL INCLUDE A LIST OF PLANNED EXPEDITIONS. IF YOU ARE INTERESTED IN PLANNING AN EXPEDITION TO A RARE OR SEMI-RARE COUNTY AND DO NOT HAVE A PARTICULAR DESTINATION IN MIND, CONTACT ME TO FIND OUT WHICH COUNTIES ARE NOT YET COVERED. I CAN BE REACHED AT (408) 970-3811 (DAYS) AND (415) 792-5736 (EVES). A LIST OF ALL TIME SINGLE OPERATOR RECORDS FOR EACH COUNTY APPEARS ELSEWHERE IN THIS ISSUE OF THE JUG. THERE ARE MANY LONG STANDING RECORDS OUT THERE TO BE BROKEN, AND OCTOBER IS AN IDEAL TIME OF YEAR FOR AN EXPEDITION. A GOOD TURNOUT BY N.C.C.C. MEMBERS WILL HELP TO KEEP CQP THE NUMBER ONE STATE QSO PARTY. GO FOR IT!

73, ALAN, K6X0

KLM 30 Meter Monoband Yagis



30M-2

30M-2: SPECIFICATIONS

Bandwidth: 10.1 to 10.150 MHz
Gain:

VSWR: **less than 1.5:1**

F/B:

Feed Impedance: **50 ohms**

Element length: **35'3"**

Boom: **3" O.D. x 12'**

Turn Radius: **18'6"**

Weight: **35 lbs**

Windload: **4 sq ft**

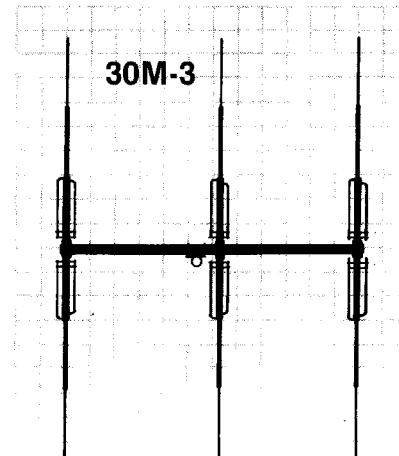
KLM is proud to announce two new high performance monobanders for 30 meters. The KLM 30M-2 and 30M-3 are carefully designed to combine moderate size with superior performance. Either of these compact powerhouses can be a valuable addition to your antenna system without overloading the tower or rotator.

- Construction materials feature strong 6063-T832 alloy aluminum element and boom tubing, massive Lexan insulators, and stainless steel hardware for years of reliable service.

- A DC grounded Beta match and KLM's proven 4:1 DC grounded Balun make the 30M-2 and 30M-3 as lightning/static proof as possible. The unique linear loading system keeps element lengths manageable without sacrificing performance.

- The adventure of a new band awaits you. Double your pleasure with the great gain and broadband response of the KLM 30M-2 or 30M-3. See your KLM dealer now!

KLM Electronics, Inc.
P.O. Box 816,
Morgan Hill, CA 95037
(408) 779-7363



30M-3

30M-3: SPECIFICATIONS

Bandwidth: 10.1 to 10.150 MHz

Gain:

VSWR: **less than 1.5:1**

F/B:

Feed Impedance: **50 ohms**

Element length: **35'3"**

Boom: **3" O.D. x 24'**

Turn Radius: **21'5"**

Weight: **50 lbs**

Windload: **7 sq ft**

CALIFORNIA QSO PARTY ALL TIME SINGLE OPERATOR RECORDS

ALAMEDA	W6SZN	80	232,788	1939	57	ALABAMA	KD4XR	81	32,148	342	47
ALPINE	W6XB	79	70,700	707	50	ALASKA	AL7H	80	9,826	110	34
AMADOR	K6COF	75	136,304	1217	56	ARIZONA	K7GM	81	34,522	343	41
BUTTE	K6OQ	78	35,700	357	50	ARKANSAS	WA5DTK	79	24,012	261	46
CALAVERAS	K6RK	82	89,376	784	57	COLORADO	WB0IWL	75	9,348	123	38
COLUSA	K6HNZ	80	97,240	884	55	CONNECT.	W1GNR	81	34,892	302	38
CONTRA CO.	N6RO	80	134,064	1111	56	DELAWARE	N8NA/3	81	10,602	136	39
DEL NORTE	W6NAT	77	36,676	346	53	FLORIDA	N4BAA	81	51,303	453	43
EL DORADO	W6TPH	77	193,820	1762	49	GEORGIA	N4NAX	79	26,602	283	33
FRESNO	W6DPD	77	8,584	116	37	HAWAII	AH6BL	79	26,514	123	38
GLENN	K6HNZ	80	97,240	844	55	IDAHO	WALPID	75	54,172	467	44
HUMBOLDT	WB6SXJ	79	139,810	1271	55	ILLINOIS	WA0AVL	82	91,616	746	58
IMPERIAL	WB6RMG	75	44,086	469	47	INDIANA	W9STW	75	13,158	746	56
INYO	WA6DZM	79	128,336	1234	52	IOWA	WD0EWD	82	91,190	153	43
KERN	W6BYH	80	53,459	441	49	KANSAS	WD0HAP	79	28,350	750	55
KINGS	K9OZL	75	17,040	213	40	KENTUCKY	WA4OMQ	79	21,216	315	45
LAKE	K6HNZ	81	189,126	1659	57	LOUISIANA	W5WG	80	25,157	221	48
LASSEN	K6JKC	82	21,280	218	40	MAINE	WB1GLH	81	24,990	257	47
LOS ANG.	W6UE	82	255,954	2064	58	MD-DC	WB3IXC	79	16,335	258	44
MADERA	N6AU	81	5,550	17	11	MASS	WB1HIH	80	24,990	168	43
MARIN	W6JZZ	75	35,010	389	45	MICHIGAN	WB8WKO	82	30,258	289	41
MARIPOSA	K6HNZ	82	199,288	1718	58	MINNESOTA	WD0CPX	82	27,762	294	42
MENDOCINO	NA6T	82	135,945	1116	57	MISS.	WB5GRI	82	6,120	90	34
MERCED	W6TPH	82	180,612	1434	58	MISSOURI	N0RJ	78	23,220	258	45
MODOC	K6XB	78	5,376	112	53	MONTANA	W7JYW	75	19,506	221	49
MONO	W6SX	82	104,887	819	54	NEBRASKA	W0EKB	79	23,520	240	44
MONTEREY	K06V	81	109,497	925	57	NEVADA	WA7NIN	76	33,696	200	44
NAPA	W6FSJ	82	53,092	426	52	NEW HAMPSHIRE	K1ITS	81	28,413	432	47
NEVADA	AI6V	82	240,062	2025	58	N. JERSEY	N2AEW	82	15,894	173	39
ORANGE	NI6W	82	181,714	1360	55	N. MEXICO	N5RR	80	29,190	172	47
PLACER	W6SZN	82	121,163	953	55	N. NEW YORK	N2ALK	79	13,416	172	39
PLUMAS	N6QW	82	43,142	188	41	N. CAROLINA	WA4GLE	79	12,836	172	38
RIVERSIDE	WA6KFX	80	167,238	1385	45	N. DAKOTA	WD0CCL	78	15,200	190	40
SACTO	KI6O	81	63,350	1302	57	OHIO	AA8S	79	23,970	255	47
S. BENITO	W6JOC	80	42,188	398	50	OKLAHOMA	N5AFV	81	14,432	164	44
S. BERNAL	WB6DAW	76	111,940	965	53	OREGON	W7CB	80	19,184	200	44
S. DIEGO	W6RDF	75	232,560	2040	58	PENNA	W3HDH	81	33,096	318	49
S. FRAN.	N6BV	79	101,640	965	57	RHODE IS	K1JA	79	13,104	168	43
S. JOAQ.	K6AYA	76	221,328	1777	58	S. CAROLINA	K4BZD	78	7,722	117	33
S. LOUIS	W7CB	82	270,454	2245	58	S. DAKOTA	W0WUU	78	3,100	62	35
S. MATEO	N6BV	80	165,642	1301	58	TENN	K4LTA	80	36,585	340	45
S. BARS.	W6OUL	80	292,436	2350	57	TEXAS	WA5DTK	81	46,080	403	48
S. CLARA	N6BT	82	276,892	2338	58	UTAH	WA7KZP	71	2,204	76	39
S. CRUZ	N6RZ	80	168,376	1619	36	VERMONT	WALJGK	82	8,308	106	31
SHASTA	AA6DX	79	15,336	213	36	VIRGINIA	WA4KKP	76	47,520	540	44
SIERRA	WB6YQW	79	6,384	133	24	WASH	N7ZZ	77	52,704	488	54
SISKIYOU	K6ITL	75	138,600	1072	56	W VA	W8VEN	82	5,356	103	26
SOLANO	K6HIH	82	136,287	1194	57	WISCONSIN	K9GDF	81	23,049	245	39
SONOMA	KB6ZA	81	92,500	325	50	WYOMING	K3ZMI	75	27,520	20	16
STANIS.	W6PXG	76	93,138	817	57	MARITIMES	VE1BNN	81	1,776	212	46
SUTTER	W6T00	78	93,060	846	55	QUEBEC	VE2ANF	79	16,112	37	24
TEHAMA	K6HNZ	78	240,400	200	49	ONTARIO	VE3DAP	79	12,680	212	38
TRINITY	WB6NBE	81	14,400	200	36	MANITOBA	VE4VV	79	15,680	168	38
TULARE	WA6KFW	77	38,976	406	48	SASK	VE5US	75	1,407	71	30
TUOLUMNE	N6IP	79	293,248	2373	58	ALBERTA	WB6IFA	69	20,056	67	21
VENTURA	N6TR	81	88,776	724	54	BRIT. COL.	VE7DSA	77	3,174	46	23
YOLO	N6JV	81	6,262	101	31	NWT-YUKON	NO ENTRY	81	4,125	42	33
YUBA	W6NJU	75	6,262	101	31	ASIA	JALOP	81	2,440	61	30
						EUROPE	PY1NEZ				
						S AMER.					

FIELD DAY 1983

BY: FRED CANHAM, K6YT
FIELD DAY CHAIRMAN,
PAARA

HOW DID PAARA DO THIS YEAR? HEAD ON!

FOR THE PAST FIVE YEARS, A CLOSE KNIT TEAM OF K6RU, K6SEM AND K6YT HAS CONSPIRED TO TAKE OVER FIRST PLACE NATIONALLY IN CLASS 4A (4 XMTRS) ON FIELD DAY. WE HAVE A LOT GOING FOR US: A GREAT SUPPORTIVE CLUB WITH FUNDS AND MANPOWER TO LAUNCH AN EFFORT OF THIS MAGNITUDE. EACH SPRING THE TERRIBLE THREE HAVE SAT DOWN AND OUTLINED WHAT WAS NECESSARY TO PULL IT OFF ONE MORE TIME. THE MEMBERSHIP OF PAARA HAS BACKED THE PLANS EACH YEAR AND 1983 WAS NO EXECEPTION.

THE HARD-WORKING TEAM THAT PAARA HAS DEVELOPED IS WELL KNOWN. IT HAS BEEN DEPENDED UPON EACH YEAR WITH GREAT SUCCESS, BUT 1983 WAS A CHALLENGE! AFTER ALL THE STUNTS WE HAD PULLED OFF (ALL LEGAL-ED.) AND THE EXTREME EFFORT OF THIS HARD-WORKING CREW, HOW COULD WE SUCCEED AND BECOME WINNERS IN CLASS 4A ONE MORE TIME!

WE DID NOT ACHIEVE THIS YEAR'S SCORE ALL BY OURSELVES. NORTHERN CALIFORNIA CONTEST CLUB (NCCC) MEMBERS HAVE PLAYED A MAJOR PART OF OUR SUCCESS THESE LAST FIVE YEARS. IT IS THE COOPERATION OF THIS GROUP THAT GIVES PAARA THE EDGE ON FIELD DAY.

WE COMPETE EACH YEAR FOR A LOCAL PLAQUE SPONSORED BY THE CENTRAL CALIFORNIA RADIO COUNCIL (CCRC). RULES FOR THE FIELD DAY PLAQUE REQUIRE THAT A SINGLE GROUPS (MEMBER OF CCRC) SUBMIT A SCORE TO ARRL. THAT SCORE WILL BE HANDICAPPED ACCORDING TO CCRC RULES TO DETERMINE THE RECIPIENT OF EACH YEAR'S AWARD. PAARA WILL SUBMIT ITS SCORE AT THE REGULAR MEETING OF CCRC ON AUGUST 3 AND OUR PERFORMANCE WILL BE JUDGED AT THAT TIME.

ARRL WILL ANNOUNCE THE FIELD DAY STANDINGS ON THE NOVEMBER ISSUE OF QST. HOW DID WE DO? THIS YEAR'S SCORE WAS THE BEST EVER - 16,122 POINTS!!!

THANKS TO THE FOLLOWING MEMBERS OF NCCC WHO MADE THIS SCORE POSSIBLE:

CW: K6XO *	PHONE: WA6VEF	*-ALSO PAARA MEMBERS
AA6G	WB6DSV	
WA6DIL	W6SZN	
W6XX	K6SEM*	-- TNX: PAARAGRAPHS, AUGUST 1983
K6RU*	K6HNZ	GEORGE NIXON, G130EN, EDITOR

FURTHER FIELD DAY NOTES

FOR THE PAST FIVE YEARS THE COMPETITION FOR THE 4A NATIONAL TITLE HAS BEEN RIGHT HERE ON THE SAN FRANCISCO PENINSULA. K6YT, PAARA HAS WON THE LAST FOUR YEARS WITH K6YA, FOOTHILLS (FARS) A VERY CLOSE SECOND. THIS YEAR FOOTHILLS CHOSE TO GO 5A (5 XMTRS), BUT PAARA STILL CAME OUT AHEAD. THE SCORES WERE: K6YT 16,122 K6YA 15,196. K6YA WAS NOT WITHOUT NCCC HELP WHICH INCLUDED: N6BZA, AA6AD, K6MA, AJ6V, N6XI, AG6D, AA4KB, N6AUV, W6OWQ.

OF COURSE WE DON'T KNOW YET WHO WON THE COUNTRY, BUT THE WAY 15 PERFORMED I CAN'T SEE HOW THE EAST CAN TOUCH US!

BEING A PAARA/NCCC MEMBER I JUST HAD TO THROW THIS IN.

-- K6RU

THE CONTEST JUG NUMBER 135 AUGUST 1983 7

T12CF

FOLLOWING ARE EXCERPTS FROM A JUNE 2, 1983 CABLEGRAM FROM CARLOS, T12CF:

TO KEN RUDDOCK K6HNZ
URGENT

DELIGHTED TO HV U/FRIENDS WRK ARRL CW/SSB CONTESTS AT T12CF

SAN JOSE CONTEST QTH IS READY NOW W 4 SEP TWRS. (#OF EL/BAND/HEIGHT-')
6/10/60; 6/15/80; 6/20/108; 4/40/100 EXCEPT 4/40 WILL MOVE TO A NEW
100' TWR ON TOP OF BLDG(150') LOCATED 500' FROM HOME AND PRESENTLY
WITH A KT34XA AT 150' 160/80 SLOPERS AT 150'

EQPMT CAN BE BROUGHT HWVR FEEL CAN FURNISH ALL SIX COMPLETE STATIONS
WITH 1 EXTRA XCVR/BAND FOR BACKUP. SUGGEST BRING KEYERS AND TELEX MICS
AND COORDINATE ADDITION OF CW FILTERS TO OUR EQPMT

PSE ADVISE OP CALLS/NAMES FEEL WE CAN COORDINATE ALL VIA RADIO AS WE GET
CLOSER

BEST REGARDS

CARLOS FONSECA T12CF

CLASSIFIED

FOR SALE: COLLINS 75S3-B WINGED
500HZ AND 200HZ COLLINS FILTERS
EXCELLENT. \$500 OR B/O.

CUBEX 4 EL TRIBAND QUAD. 3" BOOM,
FIBERGLAS SPREADERS. \$300 OR B/O.

LLOYD, AA6T 408)722-4349 EVENINGS.

FOR SALE: KENWOOD R-820, CW FILTERS
TS-820 INTERCONNECT CABLE. MINT.
\$500 OR B/O. CAM, K6RU 415)854-3055

FOR SALE: COLLINS 75S3-C, 800 AND
500HZ CW FILTERS PLUS FT 200HZ
FILTER(SOME LOSS). \$400 OR B/O.
K6RU 415)854-3055

WANTED: HENRY 3K - K6RU SEE ABOVE

Tired of post-contest paperwork?

Try the N6TV Duping Service. Just mail me a copy of your log,
and I'll send you:

- * A list of all duplicate QSOs and multipliers (NEW)
- * An alphabetical list of all call signs, by band (dupe sheet)
- * Hour by hour QSO rate sheet
- * Computerized self-stick labels for your QSL card (optional)

Price: 4¢ per QSO. For self-stick labels, add just 1¢ per QSO.

Bob Wilson, N6TV, 4950 Cherry Ave. #46, San Jose, CA 95118,
(408) 264-6688 evenings.

W6RGG/R CK INS

7/27/83 QNI:
AA6T, NR6I, K6ZM, KC6D, W6OWQ, WA6BOB,
N6AUV, K6XO, WA6VEF, WA6IEN, K6CSL,
W6SZN, A16V.

BEACONS

AS OF JUNE 3 ALL 8 OF THE 14.1 MHZ
POWER STEPPING BEACONS WERE ON THE AIR
ON SCHEDULE. A DETAILED DESCRIPTION
OF THEIR OPERARION IS DESCRIBED IN
JUNE 1983 QST BY NCCC MEMBERS W6ISQ
AND K6RU. THE CYCLE STARTS EVERY HOUR
AND REPEATS EVERY TEN MINUTES THERE-
AFTER. TAKE A LISTEN - IT'S PRETTY
EXCITING!

FORTUNE COOKIE

DORIS AND I RECENTLY HAD LUNCH AT
YET WAH. IN SAN FRANCISCO. AT THE
END OF THE NICE MEAL DORIS GOT
A RICE COOKIE MESSAGE AS FOLLOWS:

**You will attract cultured and artistic
people to your home.**

I TOLD HER THAT WAS A PREDICTION
OF THE FINE M/M GROUP WHO WOULD
BE AT AT OUR HOME OCT./NOV. FOR
CQ/WW!

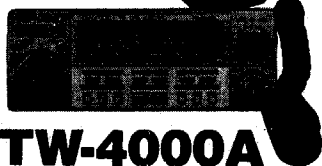
SEPT.1 BoD AT K6RU - SUPER NACHOS!!!



TR-2500

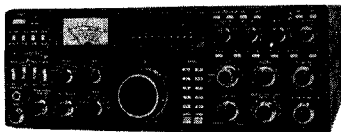
KENWOOD

NEW!!



TW-4000A
FM "Dual Bander"
2m and 70cm in a
single package!

TS-930S



TS-430S



ETD ALPHA

ALL ALPHA AMPLIFIERS
IN STOCK FOR FAST DELIVERY

CALL FOR SPECIAL PRICES



ONE EXAMPLE:
76PA
REGULAR \$2395

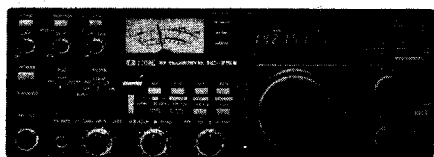
SALE! \$1699



**BUY IC-740 NOW
AND GET YOUR
\$50 REBATE!**
DIRECT FROM THE FACTORY



NEW!! IC-751



KLM/TRI-EX

KLM KT-34A

4 element tri-bander

Regular \$389.95 **\$299**

KLM KT-34XA

6 element tri-bander

Regular \$569.95 **\$459**

KLM 7.2-1 40M rotatable dipole.
Regular \$199.95 Special \$159.00

KLM 7.2-2 40M, 2 element beam.
Regular \$349.95 Special \$299.00

KLM 7.2-3 40M, 3 element beam.
Regular \$529.95 Special \$449.00

KLM 7.0-7.3 4A 40M, 4 element beam.
Regular \$749.95 Special \$629.00

TRI-EX W51, 51 foot tower.
Regular \$999.95 Special \$829.95

W51 TOWER w/ KT-34A
\$1099

W51 TOWER w/ KT-34XA
\$1239



Save substantially!
**Call now for
your price.**

BURLINGAME, CA 94010
999 Howard Ave. (415) 342-5757
5 miles south on 101 from S.F. Airport

OAKLAND, CA 94609
2811 Telegraph Ave. (415) 451-5757
Hwy 24 Downtown, Left 27th off ramp

THE CONTEST JUG-PUBLISHED MONTHLY BY
THE NORTHERN CALIFORNIA CONTEST CLUB
34456 COLEVILLE PLACE
FREMONT, CA 94536

FIRST CLASS
FIRST CLASS
FIRST CLASS



W60AT
EPPS, CHARLES K
948-H KIELY BLVD
SANTA CLARA, CA 95051

EXPIRES:0684